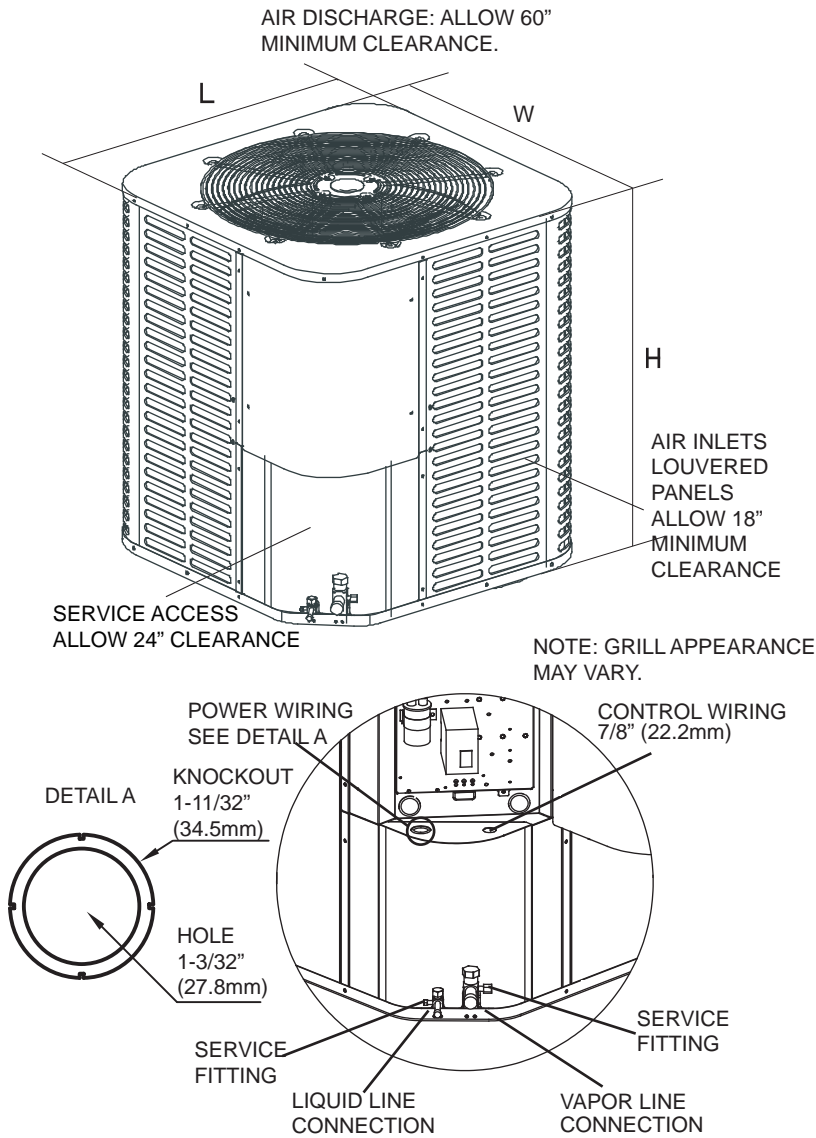


TAG: _____

SUBMITTAL

5.0 Ton Split System Heat Pump - 1 Phase M4HP4060A1000AA



Product Specifications

OUTDOOR UNIT	M4HP4060A1000AA
POWER CONNS. — V/PH/HZ	208/230/1/60
MIN. BRCH. CIR. AMPACITY	34.7
BR. CIR. PROT. RTG. - MAX. (AMPS)	60
COMPRESSOR	SCROLL
NO. USED - NO. SPEEDS	1 - 1
VOLTS/PH/HZ	208/230/1/60
R.L. AMPS - L.R. AMPS	26.4-134.0
FACTORY INSTALLED	
START COMPONENTS	NO
INSULATION/SOUND BLANKET	NO
COMPRESSOR HEAT	NO
OUTDOOR FAN	PROPELLER
DIA. (IN.) - NO. USED	23-5/8 - 1
TYPE DRIVE - NO. SPEEDS	DIRECT - 1
CFM @ 0.0 IN. W.G.	4269
NO. MOTORS - HP	1 - 1/3
MOTOR SPEED R.P.M.	1075
VOLTS/PH/HZ	208/230/1/60
F.L. AMPS	1.7
OUTDOOR COIL — TYPE	PLATE FIN
ROWS - F.P.I.	3 - 19
FACE AREA (SQ. FT.)	18.45
TUBE SIZE (IN.)	9/32
REFRIGERANT CONTROL	ORIFICE
REFRIGERANT	
LBS. — R-410 (O.D. UNIT)	11LBS. - 14OZ.
FACTORY SUPPLIED	YES
LINE SIZE - IN. O.D. GAS	7/8
LINE SIZE - IN. O.D. LIQ.	3/8
CHARGING SPECIFICATION	
SUBCOOLING	8° F
DIMENSIONS	H X W X D
CRATED (IN.)	30-1/5x34-1/2x30-1/5
WEIGHT	
SHIPPING (LBS.)	255
NET (LBS.)	240

NOTE: All dimensions are in mm/inches.

Model	H	W	L	LIQUID VALVE SIZE	GAS VALVE SIZE
M4HP4060A1000AA	843 (33-3/16)	740 (29-1/8)	740 (29-1/8)	3/8	7/8

